

High performance: Our next innovation!

TWIN TOP 1800

Be curious about our new flagship of the Twin Top Range, the TT 1800. With up to 100 cm main broom-length it will increase our sweeper portfolio shortly. Unbeatable sweeping-performance in XXL, thanks to our newly developed and patent-pending TRS-Flex-System. Solidly engineered and build, with fully hydraulic drive, unique as well as very innovative.



TECHNICAL SPECIFICATIONS



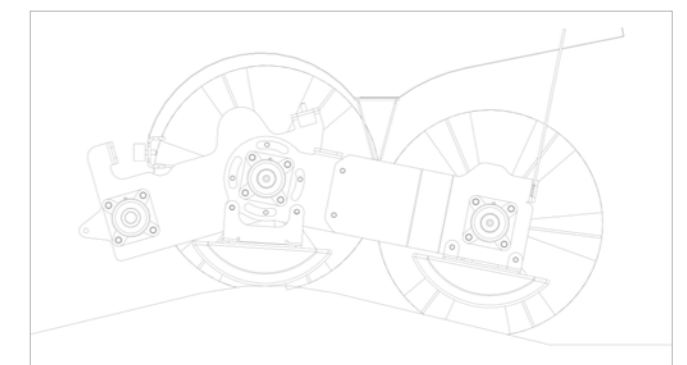
TWIN TOP 1800 up to 125.000 m²

- + TRS-Flex-System for unbeatable sweeping-performance
- + Tandem-Roller-System (TRS)
- + Very solid, modular setup
- + Fully hydraulic drive

- + Powerful engines
- + 380 l dustcontainer, usable to full extend
- + Further versions will follow shortly

TECHNICAL SPECIFICATIONS

	TT 1800 P	TT 1800 D
Power supply / engine	Kohler LH775, V2 Cyl., watercooled, 23,1 kW	Lombardini LDW 1003, 3 Cyl., water-cooled, 19,5 kW
Sweeping system	Tandem-Roller-System (TRS)	Tandem-Roller-System (TRS)
Sweeping path		
- without side broom (mm)	1000	1000
- with 1 side broom (mm)	1400	1400
- with 2 side brooms (mm)	1800	1800
Power transmission	direct, hydraulic	direct, hydraulic
Theor. sweeping performance (m ² /h)	18.000	18.000
Dirtcollectorvolume (l)	380	380
Dimensions LxWxH (mm)	2095x1435x1490	2095x1435x1490



The "TRS-Flex"-System